

Screw

- 6, 12 (2x6) Contacts
- Current: 35A

B Series

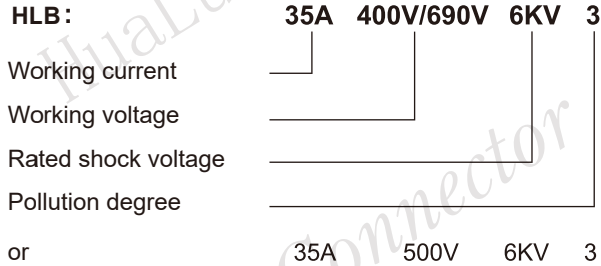


HLB Series

Technical Characteristics

■ Inserts

Number of contacts: 6, 12 (2×6)



Working voltage acc. to UL-CSA: 600V
 Insulation resistance: $\geq 10^{10} \Omega$
 Material: Polycarbonate
 Temperature range: $-40^{\circ}\text{C} \sim +125^{\circ}\text{C}$
 Flammability acc. to UL 94 V-0
 Mechanical working life -mating cycles: ≥ 500

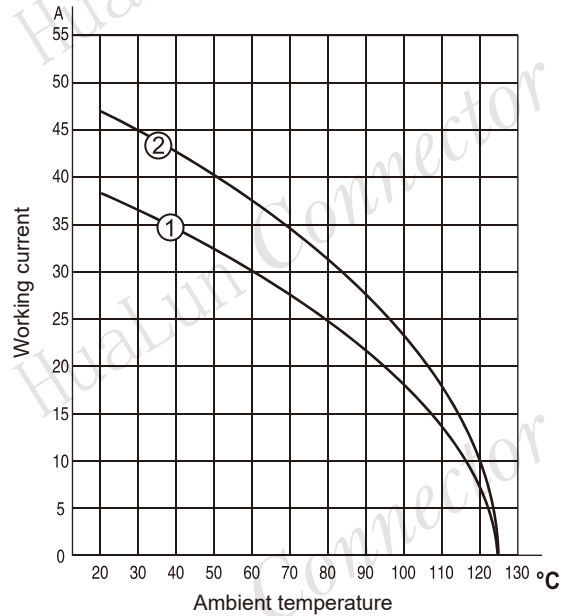
■ Contacts

Material: Copper alloy
 Surface - silver plated: $3 \mu\text{m Ag}$
 Contact resistance: $\leq 1\text{m}\Omega$
 Screw terminal: mm² 6mm², AWG 10AWG
 -Tightening/test torque: 1.2Nm

■ Current Carrying Capacity

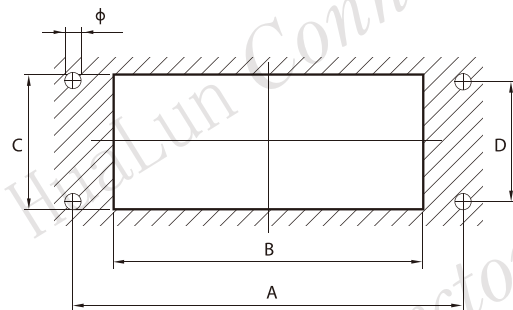
Current-carrying capacity tends to decline with the ambient temperature going higher and its contacts increasing.

Current De-rating




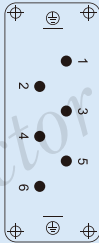
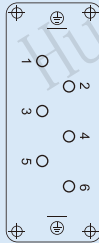

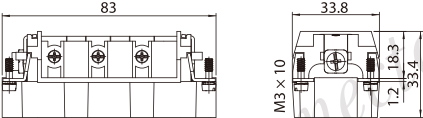
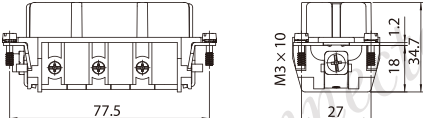
- ① Wire gauge: 4mm² ② Wire gauge: 6mm²

Panel Mounted & Mounting Hole



| Type | A(mm) | B(mm) | C(mm) | D(mm) | φ (mm) |
|--------|-------|-------|-------|-------|--------|
| HLB 6 | 103 | 82 | 35 | 32 | 4.4 |
| HLB 12 | 110 | 86 | 71 | 65 | 5.5 |

— B Series Connector —

| HLB6 | | 500V 35A | |
|--|---|---|--|
| P (Pin) | Contact arrangement View from termination side | S (Socket) | |
| <p>6P + Ⓧ</p>  <p>Part Number HLB6P</p> | <p>P</p>  | <p>S</p>  | <p>6S + Ⓧ</p>  <p>Part Number HLB6S</p> |
|  | |  | |
| <p>Shell style see Page 86-88</p> | | | |



TUV SUD



ISO9001


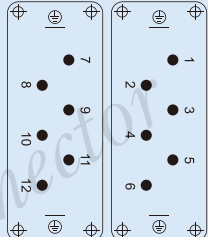
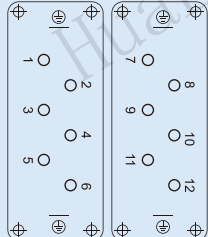

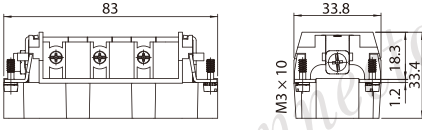
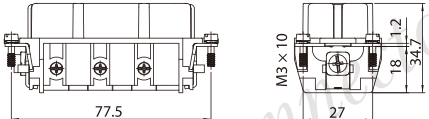
ISO14001

ISO45001



华伦连接器
HuaLun Connector

— B Series Connector —

| HLB12 | | 500V 35A | |
|--|---|--|--|
| P (Pin) | Contact arrangement View from termination side | | S (Socket) |
| <p>12P + ⚡</p>  <p>Part Number HLB12P</p> | <p>P</p>  | <p>S</p>  | <p>12S + ⚡</p>  <p>Part Number HLB12S</p> |
|  | |  | |
| Shell style see Page 89~90 | | | |

B

— B Series Shell style — B6 Code

Plug

Accessories see P98-100

| | | | | |
|---------|--------------------------|----------------------------------|-------------------------|---------------------------------|
| Shell | SE Side Entry PG29 | SE Side Entry PG21 PG16 | TE Top Entry PG29 | TE Top Entry PG21 PG16 |
| | HLB6SE | | HLB6TE | |
| Drawing | | | | |
| | | | | |



Receptacle

| | | | |
|---------|--|--|--------------------------------------|
| Shell | BH Bulkhead | OS One-Side Entry PG21 PG16 | TS Two-Side Entry PG21 PG16 |
| | HLB6BH | HLB6OS | HLB6TS |
| Drawing | | | |
| | <p>Panel Mounted & Mounting Hole</p> | <p>The mounting panel does not open rectangular holes Drill four holes at center intervals</p> | |

Unit: mm



TUV SUD



ISO9001

ISO14001

ISO45001



华伦连接器
HuaLun Connector

— B Series Shell style — B6 Code

Plug

Accessories see P98-100

| | | | | |
|---------|----------------------------------|--|---------------------------------|---|
| Shell | SEL Side Entry PG29 | SEL Side Entry PG21 PG16 | TEL Top Entry PG29 | TEL Top Entry PG21 PG16 |
| | HLB6SEL | | HLB6TEL | |
| Drawing | | | | |

Receptacle



| | | | | | | |
|---------|--|------------------------------------|------------------------------|--|------------------------------|--|
| Shell | BHL Bulkhead | BCL Bulkhead With Cap | OSL One-Side Entry | OCL One-Side Entry With Cap | TSL Two-Side Entry | TCL Two-Side Entry With Cap |
| | HLB6BHL | | HLB6OCL | | HLB6TCL | |
| Drawing | | | | | | |
| | <p>Panel Mounted & Mounting Hole</p> | | | <p>The mounting panel does not open rectangular holes Drill four holes at center intervals</p> | | |

Unit: mm

B

— B Series Shell style — B6 Code

Plug

Accessories see P98-100

| | | | | |
|---------|---------------------------------|---|--------------------------------|--|
| Shell | SL Side Entry PG29 | SL Side Entry PG21 PG16 | TL Top Entry PG29 | TL Top Entry PG21 PG16 |
| | HLB6SL | | HLB6TL | |
| Drawing | | | | |
| | | | | |

Receptacle



| | | | |
|--|-----------------------------------|--|---|
| Shell | BC Bulkhead With Cap | OC One-Side Entry With Cap PG21 PG16 | TC Two-Side Entry With Cap PG21 PG16 |
| | HLB6BC | | HLB6OC |
| Drawing | | | |
| | | | |
| <p>Panel Mounted & Mounting Hole</p> | | <p>The mounting panel does not open rectangular holes Drill four holes at center intervals</p> | |

Unit: mm



TUV SUD



ISO9001

ISO14001

ISO45001



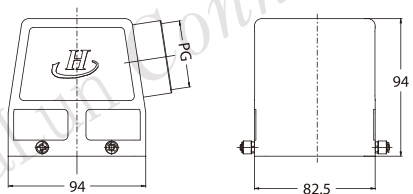
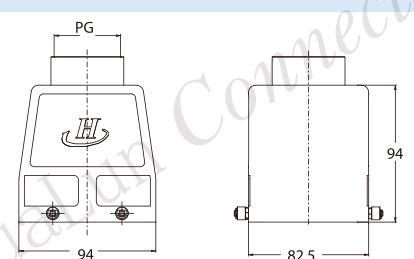


华伦连接器
HuaLun Connector

— B Series Shell style — B12 Code




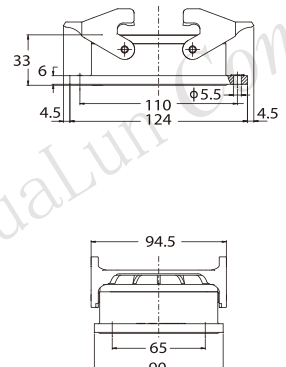
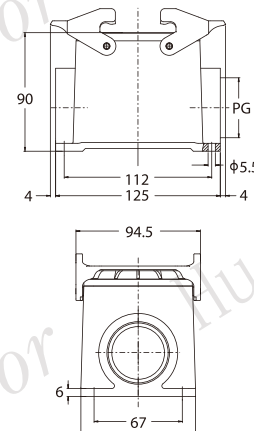
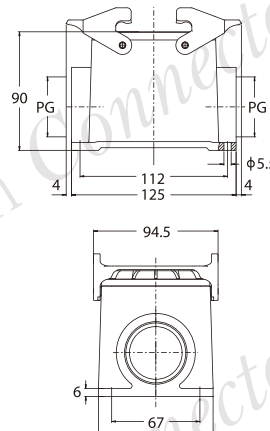
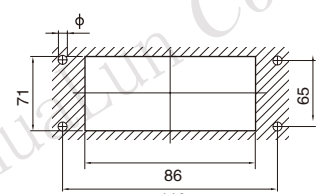
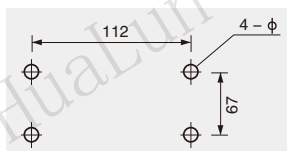
Plug

Accessories see P98-100

| | | | | |
|-------|---|---|--|---|
| Shell | SE Side Entry |  PG36 PG29 | TE Top Entry |  PG36 PG29 |
| | HLB12SE | | HLB12TE | |
| |  | |  | |

Receptacle



| | | | | | | |
|--|---|---|---|---|---|---|
| Shell | BH Bulkhead |  | OS One-Side Entry |  PG36 PG29 | TS Two-Side Entry |  PG36 PG29 |
| | HLB12BH | | HLB12OS | | HLB12TS | |
| |  | |  | |  | |
| <p>Panel Mounted & Mounting Hole</p>  | | <p>The mounting panel does not open rectangular holes Drill four holes at center intervals</p>  | | | | |



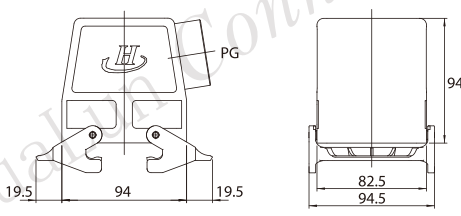
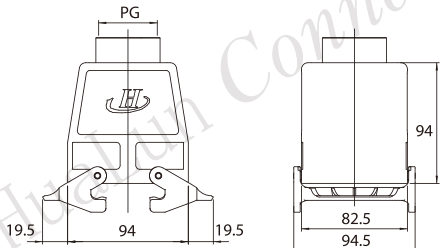
Unit: mm

B

— B Series Shell style — B12 Code




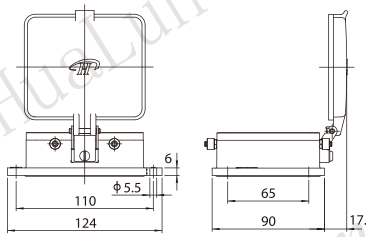
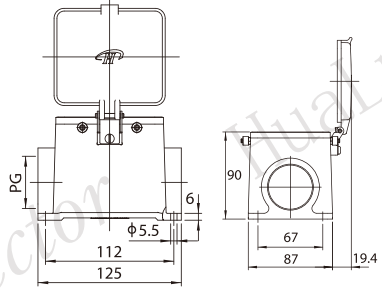
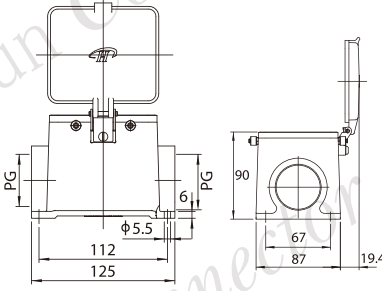
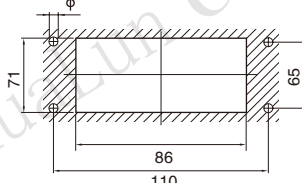
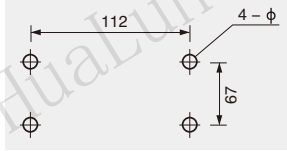
Plug

Accessories see P98-100

| | | |
|-------|--|---|
| Shell | SL Side Entry  PG36 PG29 | TL Top Entry  PG36 PG29 |
| | HLB12SL | |
| |  | |
| Code | HLB12TL | |
| |  | |

Receptacle



| | | | | | | |
|---------|---|--|--|--|---|--|
| Shell | BC Bulkhead With Cap  | OC One-Side Entry With Cap  PG36 PG29 | TC Two-Side Entry With Cap  PG36 PG29 | | | |
| | HLB12BC | | HLB12OC | | HLB12TC | |
| |  | |  | |  | |
| Drawing | Panel Mounted & Mounting Hole  | | The mounting panel does not open rectangular holes Drill four holes at center intervals  | | | |

Unit: mm