

X/XS Miniature Connectors





Index

Brief	2
Technical Data	3
Plug (Thread Coupling), Receptacle (Thread Coupling) Order Code	4
X12	5-6
X16	7-10
Plug (Push-Pull Coupling) Order Code	11
Receptacle (Push-Pull Coupling) Order Code	12
XS10	13-14
XS12	15-16
XS16	17-20
XS18	21-22
X&XS Plug Figure	23
X&XS Receptacle and Mounting Figure	23-24
Free Receptacle Order Code	25
X&XS Shell Size for Free Receptacle	26



ISO9001 ISO14001 ISO45001

BRIEF

The product is designed to standard IEC/EN61984 and tested to IEC/EN60512. It is approved to certification of CE, China Compulsory Certificate and passed the RoHS test.

The product is applied to the circuits of various instruments and electrical controllers.



High-tech Enterprise Certificate



Foreign Invested Advanced



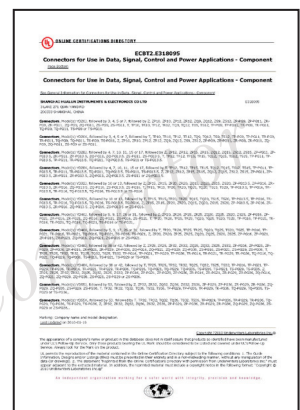
Enterprise Credit Rating AAA



Software Copyright



ISO9001, ISO14001, ISO45001



UL for YD series

TECHNICAL DATA

Operating Temperature	Lower limit -40°C; Upper limit +100°C
Relative Humidity	95% at 40 ±2°C
Frequency	50Hz~60Hz
Vibration	10~500Hz; Accelerate 100m/s ²
Shock	Frequency 40~80cycles/minute; Acceleration 250 m/s ²
Overvoltage Category	II
Insulation Resistance	Normal ≥ 5000MΩ
	Damp heat ≥ 100MΩ
Insulating Material Flammability	UL94 V-0
Degree of Pollution	2
Mechanical Life	>500 Cycles

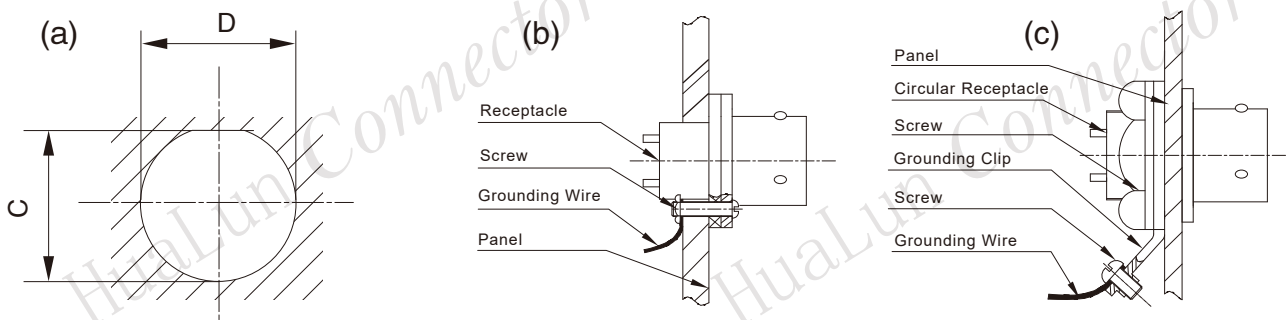
Contact Rated Current, Contact Resistance, Wire Guage (See Table Below)

Contact pair material: Brass (silver plating, gold-plating)

Contact Diameter (mm)	Rated Current (A)	Contact Resistance (mΩ)	Wire Guage (mm ²)
φ 0.8	3	≤ 10	≤ 0.5
φ 1	5	≤ 5	≤ 0.78
φ 1.5	10	≤ 2.5	≤ 1.75
φ 1.6	13	≤ 2	≤ 2
φ 2.5	25	≤ 1	≤ 4.9

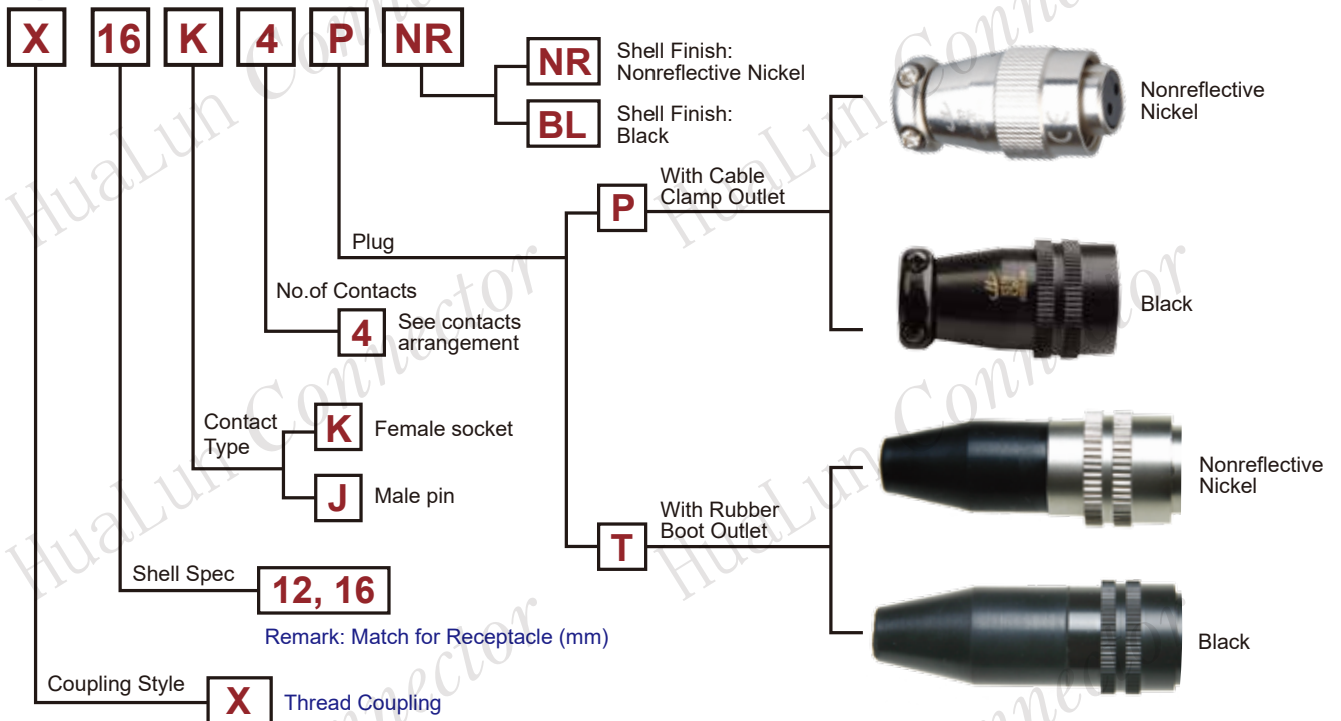
MOUNTING & USAGE

1. For the small contact in 0.8-2.5mm, electrical iron power shall not be overlarge the range of 25W-35W as the connector is welded and the time shall be controlled between 2 sec and 3 sec.
2. Thermal shrinkable sleeve must be used at weld joint for insulation.
3. When connector with cable clamp (P), the clamp shall be adjusted to proper tightness.
4. Fixed circular connector(Y). The hole should be cut in straight edge on the top as following drawing (a) shows, when drilling on panel, and C<D0.5mm.
5. As operating voltage is larger than 50V(AC vital value), shell shall be grounded as figure (b,c)below.



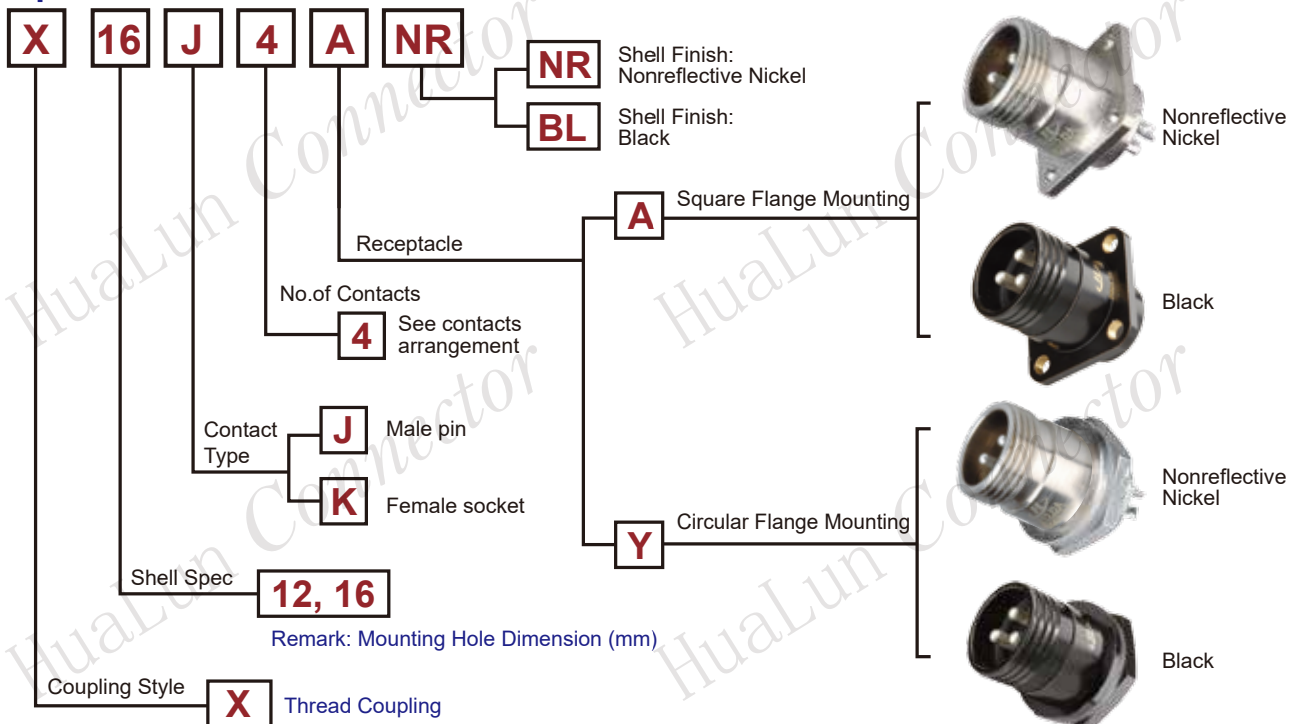
Plug (Thread Coupling) Order Code

◆ Plug Example



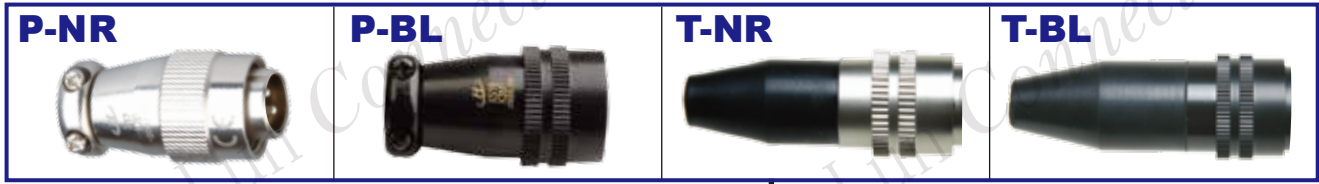
Receptacle (Thread Coupling) Order Code

◆ Receptacle Example



X12 Male Plug Type

◆ J: Male Plug



Order Code

X12J Qty. of Contacts Plug type

Optional **P-NR or P-BL or T-NR or T-BL**



Remark: shell size see page 23

J (Male)



Optional

Contacts Arrangement

φ: mm

Qty. of Contacts	2	3	4	5	6	7
Contacts Arrangement						
Diameter of contacts×Qty.	φ 1.6 × 2	φ 1.0 × 3	φ 1.0 × 4	φ 1.0 × 5	φ 1.0 × 6	φ 1.0 × 7
Rated Voltage	250VAC	250VAC	200VAC	180VAC	125VAC	125VAC
Withstand Voltage	2000Vrms (50/60Hz)	2000Vrms (50/60Hz)	1500Vrms (50/60Hz)	1500Vrms (50/60Hz)	1000Vrms (50/60Hz)	1000Vrms (50/60Hz)

X12 Female Receptacle Type

◆ K: Female Receptacle



Order Code

X12K Qty. of Contacts Receptacle type

Optional **A-NR or A-BL or Y-NR or Y-BL**



Remark: receptacle and mounting figure 23 ~ 24

K (Female)



Optional

Contacts Arrangement

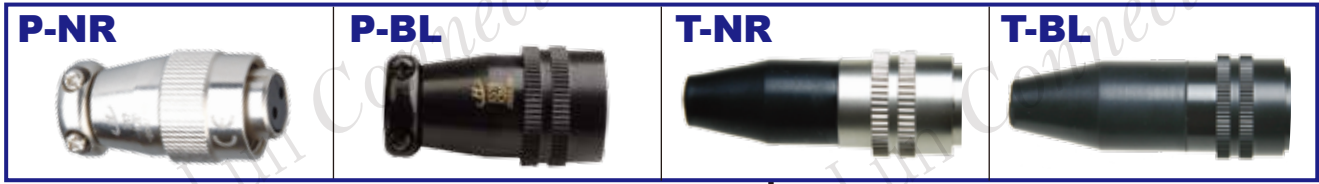
φ: mm

Qty. of Contacts	2	3	4	5	6	7
Contacts Arrangement						
Diameter of contacts×Qty.	φ 1.6 × 2	φ 1.0 × 3	φ 1.0 × 4	φ 1.0 × 5	φ 1.0 × 6	φ 1.0 × 7
Rated Voltage	250VAC	250VAC	200VAC	180VAC	125VAC	125VAC
Withstand Voltage	2000Vrms (50/60Hz)	2000Vrms (50/60Hz)	1500Vrms (50/60Hz)	1500Vrms (50/60Hz)	1000Vrms (50/60Hz)	1000Vrms (50/60Hz)



X12 Female Plug Type

◆ K: Female Plug



Order Code

X12K

Qty. of Contacts

Plug type

Optional **P-NR** or **P-BL** or **T-NR** or **T-BL**



Remark: shell size see page 23

K (Female)



Optional

Contacts Arrangement

φ: mm

Qty. of Contacts	2	3	4	5	6	7
Contacts Arrangement						
Diameter of contacts×Qty.	φ 1.6 × 2	φ 1.0 × 3	φ 1.0 × 4	φ 1.0 × 5	φ 1.0 × 6	φ 1.0 × 7
Rated Voltage	250VAC	250VAC	200VAC	180VAC	125VAC	125VAC
Withstand Voltage	2000Vrms (50/60Hz)	2000Vrms (50/60Hz)	1500Vrms (50/60Hz)	1500Vrms (50/60Hz)	1000Vrms (50/60Hz)	1000Vrms (50/60Hz)

X12 Male Receptacle Type

◆ J: Male Receptacle



Order Code

X12J

Qty. of Contacts

Receptacle type

Optional **A-NR** or **A-BL** or **Y-NR** or **Y-BL**



Remark: receptacle and mounting figure 23 ~ 24

J (Male)



Optional

Contacts Arrangement

φ: mm

Qty. of Contacts	2	3	4	5	6	7
Contacts Arrangement						
Diameter of contacts×Qty.	φ 1.6 × 2	φ 1.0 × 3	φ 1.0 × 4	φ 1.0 × 5	φ 1.0 × 6	φ 1.0 × 7
Rated Voltage	250VAC	250VAC	200VAC	180VAC	125VAC	125VAC
Withstand Voltage	2000Vrms (50/60Hz)	2000Vrms (50/60Hz)	1500Vrms (50/60Hz)	1500Vrms (50/60Hz)	1000Vrms (50/60Hz)	1000Vrms (50/60Hz)

X16 Male Plug Type

◆ J: Male Plug



Optional **P-NR or P-BL or T-NR or T-BL**

Order Code

X16J

Qty. of Contacts

Plug type



Remark: shell size see page 23

Optional

Contacts Arrangement

φ: mm

Qty. of Contacts	2	2a	3	3a	3b
Contacts Arrangement					
Diameter of contacts×Qty.	φ1.5 × 2	φ2.5 × 2	φ1.0 × 3	φ1.5 × 3	φ2.5 × 3
Rated Voltage	250VAC	250VAC	250VAC	250VAC	250VAC
Withstand Voltage	2000Vrms (50/60Hz)	2000Vrms (50/60Hz)	2000Vrms (50/60Hz)	2000Vrms (50/60Hz)	2000Vrms (50/60Hz)
Qty. of Contacts	4	4a	5	5a	7
Contacts Arrangement					
Diameter of contacts×Qty.	φ1.0 × 4	φ1.5 × 4	φ1.0 × 5	φ1.0 × 2 φ1.5 × 3	φ1.0 × 7
Rated Voltage	250VAC	250VAC	250VAC	250VAC 400VAC	250VAC
Withstand Voltage	2000Vrms (50/60Hz)	2000Vrms (50/60Hz)	2000Vrms (50/60Hz)	2000Vrms (50/60Hz)	2000Vrms (50/60Hz)
Qty. of Contacts	8	9	10	12	
Contacts Arrangement					
Diameter of contacts×Qty.	φ1.0 × 8	φ1.0 × 9	φ1.0 × 10	φ1.0 × 12	
Rated Voltage	250VAC	200VAC	160VAC	160VAC	
Withstand Voltage	2000Vrms (50/60Hz)	1500Vrms (50/60Hz)	1500Vrms (50/60Hz)	1500Vrms (50/60Hz)	

X16 Female Receptacle Type

◆ K: Female Receptacle



Optional **A-NR or A-BL or Y-NR or Y-BL**

Order Code

X16K

Qty. of Contacts

Receptacle type



Remark: receptacle and mounting figure ²³ ~ ²⁴

Optional

K (Female)



Contacts Arrangement

φ: mm

Qty. of Contacts	2	2a	3	3a	3b
Contacts Arrangement					
Diameter of contacts×Qty.	φ1.5 × 2	φ2.5 × 2	φ1.0 × 3	φ1.5 × 3	φ2.5 × 3
Rated Voltage	250VAC	250VAC	250VAC	250VAC	250VAC
Withstand Voltage	2000Vrms (50/60Hz)	2000Vrms (50/60Hz)	2000Vrms (50/60Hz)	2000Vrms (50/60Hz)	2000Vrms (50/60Hz)
Qty. of Contacts	4	4a	5	5a	7
Contacts Arrangement					
Diameter of contacts×Qty.	φ1.0 × 4	φ1.5 × 4	φ1.0 × 5	φ1.0 × 2 φ1.5 × 3	φ1.0 × 7
Rated Voltage	250VAC	250VAC	250VAC	250VAC 400VAC	250VAC
Withstand Voltage	2000Vrms (50/60Hz)	2000Vrms (50/60Hz)	2000Vrms (50/60Hz)	2000Vrms (50/60Hz)	2000Vrms (50/60Hz)
Qty. of Contacts	8	9	10	12	
Contacts Arrangement					
Diameter of contacts×Qty.	φ1.0 × 8	φ1.0 × 9	φ1.0 × 10	φ1.0 × 12	
Rated Voltage	250VAC	200VAC	160VAC	160VAC	
Withstand Voltage	2000Vrms (50/60Hz)	1500Vrms (50/60Hz)	1500Vrms (50/60Hz)	1500Vrms (50/60Hz)	

X16 Female Plug Type

◆ K: Female Plug



Optional **P-NR or P-BL or T-NR or T-BL**

Order Code

X16K

Qty. of Contacts

Plug type



Remark: shell size see page 23

Optional

Contacts Arrangement

φ: mm

Qty. of Contacts	2	2a	3	3a	3b
Contacts Arrangement					
Diameter of contacts×Qty.	φ1.5 × 2	φ2.5 × 2	φ1.0 × 3	φ1.5 × 3	φ2.5 × 3
Rated Voltage	250VAC	250VAC	250VAC	250VAC	250VAC
Withstand Voltage	2000Vrms (50/60Hz)	2000Vrms (50/60Hz)	2000Vrms (50/60Hz)	2000Vrms (50/60Hz)	2000Vrms (50/60Hz)
Qty. of Contacts	4	4a	5	5a	7
Contacts Arrangement					
Diameter of contacts×Qty.	φ1.0 × 4	φ1.5 × 4	φ1.0 × 5	φ1.0 × 2 φ1.5 × 3	φ1.0 × 7
Rated Voltage	250VAC	250VAC	250VAC	250VAC 400VAC	250VAC
Withstand Voltage	2000Vrms (50/60Hz)	2000Vrms (50/60Hz)	2000Vrms (50/60Hz)	2000Vrms (50/60Hz)	2000Vrms (50/60Hz)
Qty. of Contacts	8	9	10	12	
Contacts Arrangement					
Diameter of contacts×Qty.	φ1.0 × 8	φ1.0 × 9	φ1.0 × 10	φ1.0 × 12	
Rated Voltage	250VAC	200VAC	160VAC	160VAC	
Withstand Voltage	2000Vrms (50/60Hz)	1500Vrms (50/60Hz)	1500Vrms (50/60Hz)	1500Vrms (50/60Hz)	

X16 Male Receptacle Type

◆ J: Male Receptacle



Optional **A-NR or A-BL or Y-NR or Y-BL**

Order Code

X16J

Qty. of
Contacts

Receptacle
type



Remark: receptacle and mounting figure 23 ~ 24

Optional

J (Male)



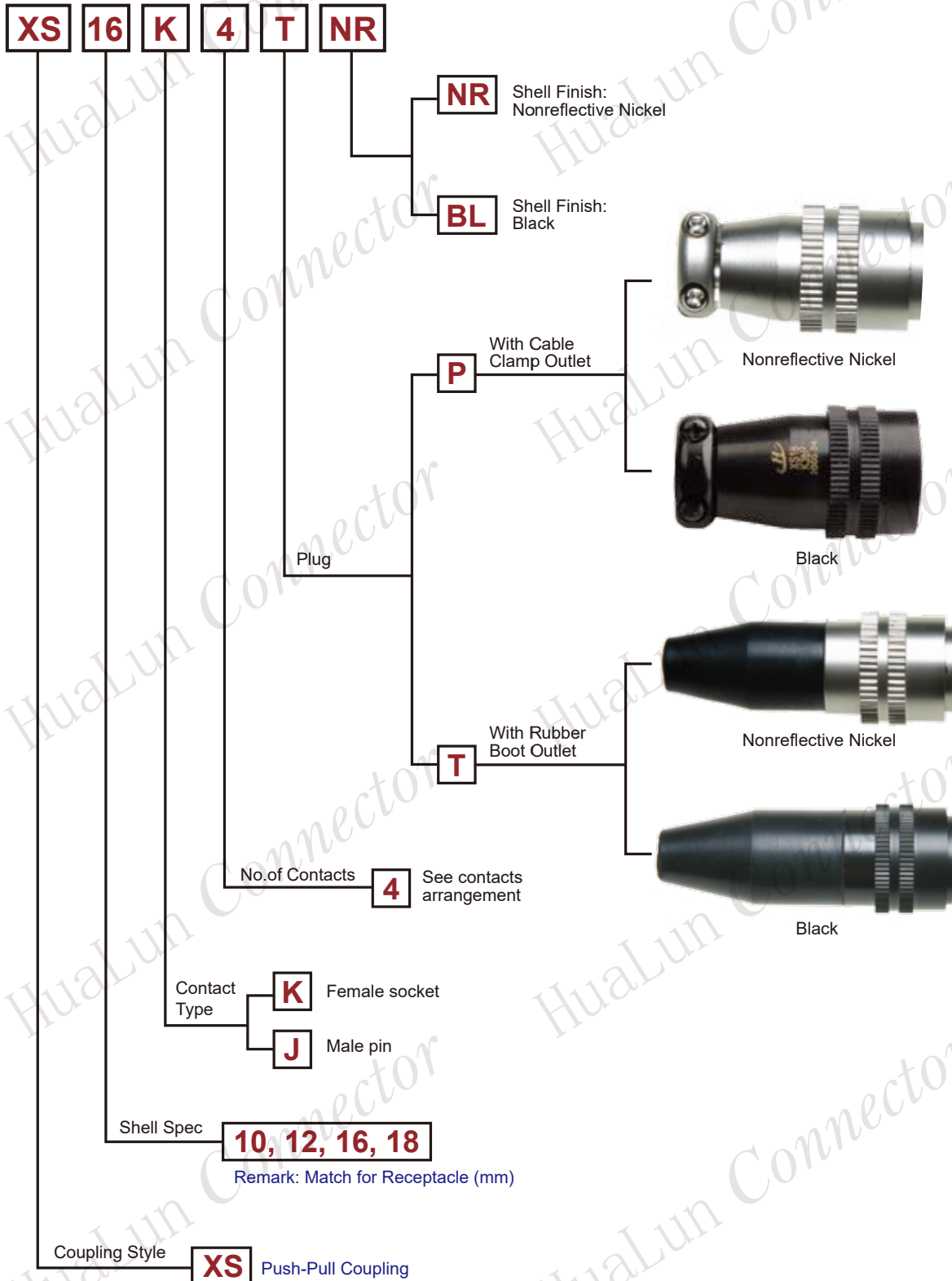
Contacts Arrangement

φ: mm

Qty. of Contacts	2	2a	3	3a	3b
Contacts Arrangement					
Diameter of contacts×Qty.	φ1.5 × 2	φ2.5 × 2	φ1.0 × 3	φ1.5 × 3	φ2.5 × 3
Rated Voltage	250VAC	250VAC	250VAC	250VAC	250VAC
Withstand Voltage	2000Vrms (50/60Hz)	2000Vrms (50/60Hz)	2000Vrms (50/60Hz)	2000Vrms (50/60Hz)	2000Vrms (50/60Hz)
Qty. of Contacts	4	4a	5	5a	7
Contacts Arrangement					
Diameter of contacts×Qty.	φ1.0 × 4	φ1.5 × 4	φ1.0 × 5	φ1.0 × 2 φ1.5 × 3	φ1.0 × 7
Rated Voltage	250VAC	250VAC	250VAC	250VAC 400VAC	250VAC
Withstand Voltage	2000Vrms (50/60Hz)	2000Vrms (50/60Hz)	2000Vrms (50/60Hz)	2000Vrms (50/60Hz)	2000Vrms (50/60Hz)
Qty. of Contacts	8	9	10	12	
Contacts Arrangement					
Diameter of contacts×Qty.	φ1.0 × 8	φ1.0 × 9	φ1.0 × 10	φ1.0 × 12	
Rated Voltage	250VAC	200VAC	160VAC	160VAC	
Withstand Voltage	2000Vrms (50/60Hz)	1500Vrms (50/60Hz)	1500Vrms (50/60Hz)	1500Vrms (50/60Hz)	

Plug (Push-Pull Coupling) Order Code

◆ Plug Example

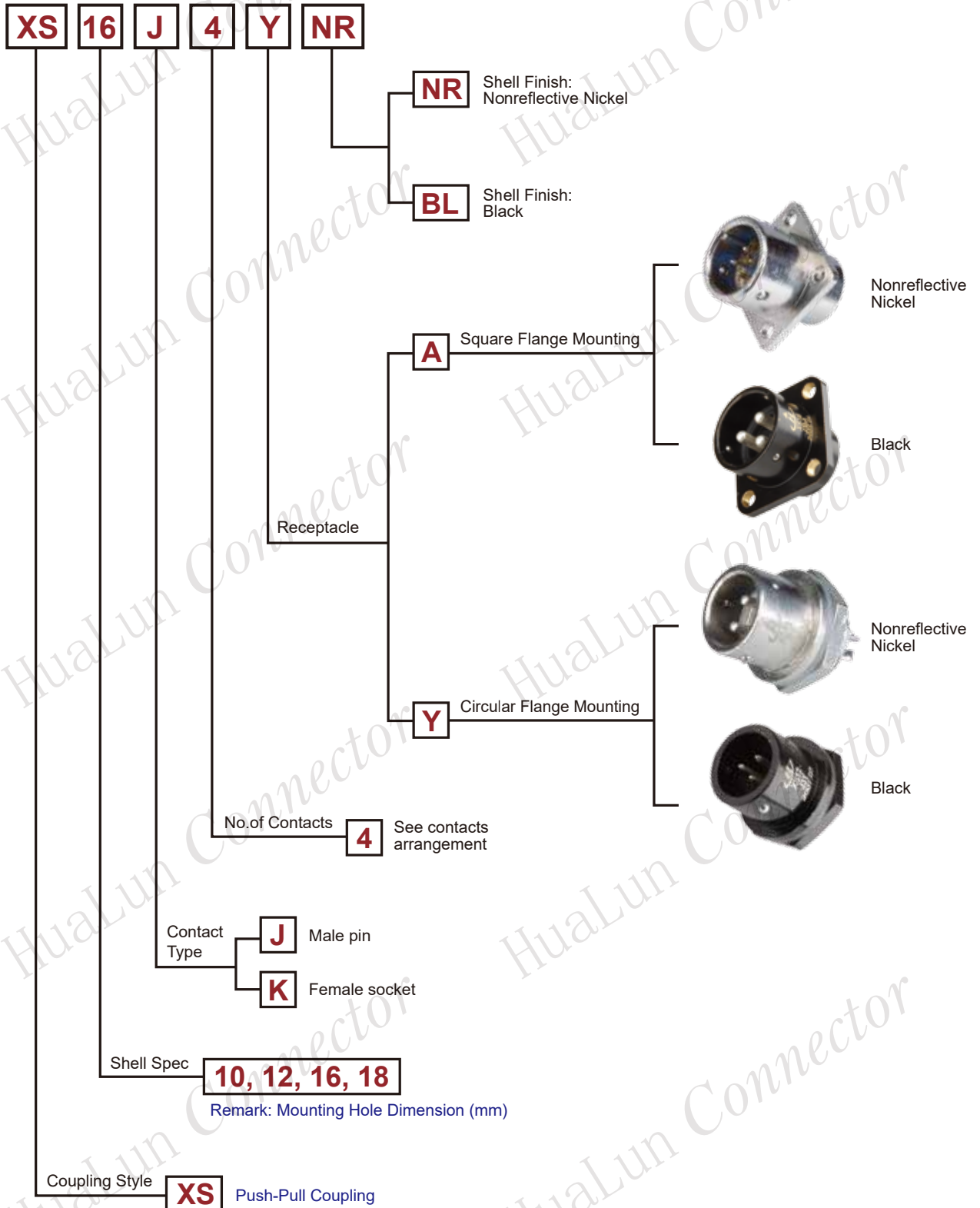




Receptacle (Push-Pull Coupling) Order Code

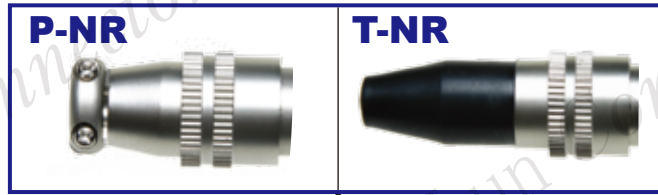
◆ Receptacle

Example



XS10 Male Plug Type

◆ J: Male Plug



Optional

Order Code

XS10J Qty. of Contacts **P or T** **NR**



Remark: shell size see page 23

J (Male)



Optional

Contacts Arrangement

φ: mm

Qty. of Contacts	2	3	4	5
Contacts Arrangement				
Diameter of contacts×Qty.	φ 1.0 × 2	φ 1.0 × 3	φ 0.8 × 4	φ 0.8 × 5
Rated Voltage	250VAC	250VAC	200VAC	125VAC
Withstand Voltage	1500Vrms (50/60Hz)	1500Vrms (50/60Hz)	1000Vrms (50/60Hz)	1000Vrms (50/60Hz)

XS10 Female Receptacle Type

◆ K: Female Receptacle



Optional

Order Code

XS10K Qty. of Contacts **A or Y** **NR**



Remark: receptacle and mounting figure 23 ~ 24

K (Female)



Optional

Contacts Arrangement

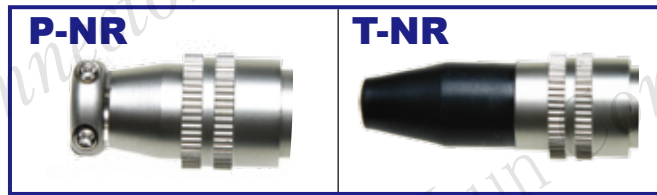
φ: mm

Qty. of Contacts	2	3	4	5
Contacts Arrangement				
Diameter of contacts×Qty.	φ 1.0 × 2	φ 1.0 × 3	φ 0.8 × 4	φ 0.8 × 5
Rated Voltage	250VAC	250VAC	200VAC	125VAC
Withstand Voltage	1500Vrms (50/60Hz)	1500Vrms (50/60Hz)	1000Vrms (50/60Hz)	1000Vrms (50/60Hz)



XS10 Female Plug Type

◆ K: Female Plug



Optional

Order Code

XS10K Qty. of Contacts **P or T** **NR**



Remark: shell size see page 23

K (Female)



Optional

Contacts Arrangement

φ: mm

Qty. of Contacts	2	3	4	5
Contacts Arrangement				
Diameter of contacts×Qty.	φ 1.0 × 2	φ 1.0 × 3	φ 0.8 × 4	φ 0.8 × 5
Rated Voltage	250VAC	250VAC	200VAC	125VAC
Withstand Voltage	1500Vrms (50/60Hz)	1500Vrms (50/60Hz)	1000Vrms (50/60Hz)	1000Vrms (50/60Hz)

XS10 Male Receptacle Type

◆ J: Male Receptacle



Optional

Order Code

XS10J Qty. of Contacts **A or Y** **NR**



Remark: receptacle and mounting figure 23 ~ 24

J (Male)



Optional

Contacts Arrangement

φ: mm

Qty. of Contacts	2	3	4	5
Contacts Arrangement				
Diameter of contacts×Qty.	φ 1.0 × 2	φ 1.0 × 3	φ 0.8 × 4	φ 0.8 × 5
Rated Voltage	250VAC	250VAC	200VAC	125VAC
Withstand Voltage	1500Vrms (50/60Hz)	1500Vrms (50/60Hz)	1000Vrms (50/60Hz)	1000Vrms (50/60Hz)

XS12 Male Plug Type

◆ J: Male Plug



Order Code

XS12J

Qty. of Contacts

Plug type



Remark: shell size see page 23

J (Male)



Optional

Contacts Arrangement

φ: mm

Qty. of Contacts	2	3	4	5	6	7
Contacts Arrangement						
Diameter of contacts×Qty.	φ 1.6 × 2	φ 1.0 × 3	φ 1.0 × 4	φ 1.0 × 5	φ 1.0 × 6	φ 1.0 × 7
Rated Voltage	250VAC	250VAC	200VAC	180VAC	125VAC	125VAC
Withstand Voltage	2000Vrms (50/60Hz)	2000Vrms (50/60Hz)	1500Vrms (50/60Hz)	1500Vrms (50/60Hz)	1000Vrms (50/60Hz)	1000Vrms (50/60Hz)

XS12 Female Receptacle Type

◆ K: Female Receptacle



Order Code

XS12K

Qty. of Contacts

Receptacle type



Remark: receptacle and mounting figure 23 ~ 24

K (Female)



Optional

Contacts Arrangement

φ: mm

Qty. of Contacts	2	3	4	5	6	7
Contacts Arrangement						
Diameter of contacts×Qty.	φ 1.6 × 2	φ 1.0 × 3	φ 1.0 × 4	φ 1.0 × 5	φ 1.0 × 6	φ 1.0 × 7
Rated Voltage	250VAC	250VAC	200VAC	180VAC	125VAC	125VAC
Withstand Voltage	2000Vrms (50/60Hz)	2000Vrms (50/60Hz)	1500Vrms (50/60Hz)	1500Vrms (50/60Hz)	1000Vrms (50/60Hz)	1000Vrms (50/60Hz)



XS12 Female Plug Type

◆ K: Female Plug



Order Code

XS12K Qty. of Contacts Plug type

Optional P-NR or P-BL or T-NR or T-BL



Remark: shell size see page 23

K (Female)

Optional

Contacts Arrangement

φ: mm

Qty. of Contacts	2	3	4	5	6	7
Contacts Arrangement						
Diameter of contacts×Qty.	φ 1.6 × 2	φ 1.0 × 3	φ 1.0 × 4	φ 1.0 × 5	φ 1.0 × 6	φ 1.0 × 7
Rated Voltage	250VAC	250VAC	200VAC	180VAC	125VAC	125VAC
Withstand Voltage	2000Vrms (50/60Hz)	2000Vrms (50/60Hz)	1500Vrms (50/60Hz)	1500Vrms (50/60Hz)	1000Vrms (50/60Hz)	1000Vrms (50/60Hz)

XS12 Male Receptacle Type

◆ J: Male Receptacle



Order Code

XS12J Qty. of Contacts Receptacle type

Optional A-NR or A-BL or Y-NR or Y-BL



Remark: receptacle and mounting figure 23 ~ 24

J (Male)

Optional

Contacts Arrangement

φ: mm

Qty. of Contacts	2	3	4	5	6	7
Contacts Arrangement						
Diameter of contacts×Qty.	φ 1.6 × 2	φ 1.0 × 3	φ 1.0 × 4	φ 1.0 × 5	φ 1.0 × 6	φ 1.0 × 7
Rated Voltage	250VAC	250VAC	200VAC	180VAC	125VAC	125VAC
Withstand Voltage	2000Vrms (50/60Hz)	2000Vrms (50/60Hz)	1500Vrms (50/60Hz)	1500Vrms (50/60Hz)	1000Vrms (50/60Hz)	1000Vrms (50/60Hz)

XS16 Male Plug Type

◆ J: Male Plug



Order Code

XS16J

Qty. of Contacts

Plug type

Optional

P-NR or P-BL or T-NR or T-BL

Optional

Contacts Arrangement



Remark: shell size see page 23

J (Male)



φ: mm

Qty. of Contacts	2	2a	3	3a	3b
Contacts Arrangement					
Diameter of contacts×Qty.	φ1.5 × 2	φ2.5 × 2	φ1.0 × 3	φ1.5 × 3	φ2.5 × 3
Rated Voltage	250VAC	250VAC	250VAC	250VAC	250VAC
Withstand Voltage	2000Vrms (50/60Hz)	2000Vrms (50/60Hz)	2000Vrms (50/60Hz)	2000Vrms (50/60Hz)	2000Vrms (50/60Hz)
Qty. of Contacts	4	4a	5	5a	7
Contacts Arrangement					
Diameter of contacts×Qty.	φ1.0 × 4	φ1.5 × 4	φ1.0 × 5	φ1.0 × 2 φ1.5 × 3	φ1.0 × 7
Rated Voltage	250VAC	250VAC	250VAC	250VAC 400VAC	250VAC
Withstand Voltage	2000Vrms (50/60Hz)	2000Vrms (50/60Hz)	2000Vrms (50/60Hz)	2000Vrms (50/60Hz)	2000Vrms (50/60Hz)
Qty. of Contacts	8	9	10	12	
Contacts Arrangement					
Diameter of contacts×Qty.	φ1.0 × 8	φ1.0 × 9	φ1.0 × 10	φ1.0 × 12	
Rated Voltage	250VAC	200VAC	160VAC	160VAC	
Withstand Voltage	2000Vrms (50/60Hz)	1500Vrms (50/60Hz)	1500Vrms (50/60Hz)	1500Vrms (50/60Hz)	



XS16 Female Receptacle Type

◆ K: Female Receptacle



Order Code

XS16K Qty. of Contacts Receptacle type

Optional **A-NR or A-BL or Y-NR or Y-BL**



Remark: receptacle and mounting figure 23 ~ 24

Optional

K (Female)



Contacts Arrangement

φ: mm

Qty. of Contacts	2	2a	3	3a	3b
Contacts Arrangement					
Diameter of contacts × Qty.	φ 1.5 × 2	φ 2.5 × 2	φ 1.0 × 3	φ 1.5 × 3	φ 2.5 × 3
Rated Voltage	250VAC	250VAC	250VAC	250VAC	250VAC
Withstand Voltage	2000Vrms (50/60Hz)	2000Vrms (50/60Hz)	2000Vrms (50/60Hz)	2000Vrms (50/60Hz)	2000Vrms (50/60Hz)

Qty. of Contacts	4	4a	5	5a	7
Contacts Arrangement					
Diameter of contacts × Qty.	φ 1.0 × 4	φ 1.5 × 4	φ 1.0 × 5	φ 1.0 × 2 φ 1.5 × 3	φ 1.0 × 7
Rated Voltage	250VAC	250VAC	250VAC	250VAC 400VAC	250VAC
Withstand Voltage	2000Vrms (50/60Hz)	2000Vrms (50/60Hz)	2000Vrms (50/60Hz)	2000Vrms (50/60Hz)	2000Vrms (50/60Hz)

Qty. of Contacts	8	9	10	12
Contacts Arrangement				
Diameter of contacts × Qty.	φ 1.0 × 8	φ 1.0 × 9	φ 1.0 × 10	φ 1.0 × 12
Rated Voltage	250VAC	200VAC	160VAC	160VAC
Withstand Voltage	2000Vrms (50/60Hz)	1500Vrms (50/60Hz)	1500Vrms (50/60Hz)	1500Vrms (50/60Hz)

XS16 Female Plug Type

◆ K: Female Plug



Order Code

XS16K Qty. of Contacts Plug type

Optional **P-NR or P-BL or T-NR or T-BL**



Remark: shell size see page 23

Optional

K (Female)



Contacts Arrangement

φ: mm

Qty. of Contacts	2	2a	3	3a	3b
Contacts Arrangement					
Diameter of contacts×Qty.	φ1.5 × 2	φ2.5 × 2	φ1.0 × 3	φ1.5 × 3	φ2.5 × 3
Rated Voltage	250VAC	250VAC	250VAC	250VAC	250VAC
Withstand Voltage	2000Vrms (50/60Hz)	2000Vrms (50/60Hz)	2000Vrms (50/60Hz)	2000Vrms (50/60Hz)	2000Vrms (50/60Hz)
Qty. of Contacts	4	4a	5	5a	7
Contacts Arrangement					
Diameter of contacts×Qty.	φ1.0 × 4	φ1.5 × 4	φ1.0 × 5	φ1.0 × 2 φ1.5 × 3	φ1.0 × 7
Rated Voltage	250VAC	250VAC	250VAC	250VAC 400VAC	250VAC
Withstand Voltage	2000Vrms (50/60Hz)	2000Vrms (50/60Hz)	2000Vrms (50/60Hz)	2000Vrms (50/60Hz)	2000Vrms (50/60Hz)
Qty. of Contacts	8	9	10	12	
Contacts Arrangement					
Diameter of contacts×Qty.	φ1.0 × 8	φ1.0 × 9	φ1.0 × 10	φ1.0 × 12	
Rated Voltage	250VAC	200VAC	160VAC	160VAC	
Withstand Voltage	2000Vrms (50/60Hz)	1500Vrms (50/60Hz)	1500Vrms (50/60Hz)	1500Vrms (50/60Hz)	



XS16 Male Receptacle Type

◆ J: Male Receptacle



Order Code

XS16J

Qty. of Contacts

Receptacle type

Optional **A-NR or A-BL or Y-NR or Y-BL**



Remark: receptacle and mounting figure 23 ~ 24

J (Male)



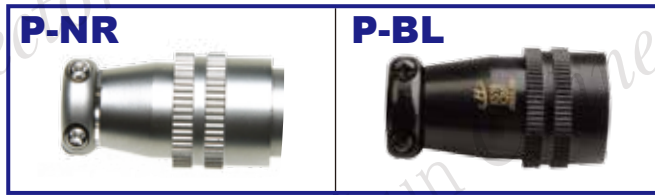
Contacts Arrangement

φ: mm

Qty. of Contacts	2	2a	3	3a	3b
Contacts Arrangement					
Diameter of contacts×Qty.	φ1.5 × 2	φ2.5 × 2	φ1.0 × 3	φ1.5 × 3	φ2.5 × 3
Rated Voltage	250VAC	250VAC	250VAC	250VAC	250VAC
Withstand Voltage	2000Vrms (50/60Hz)	2000Vrms (50/60Hz)	2000Vrms (50/60Hz)	2000Vrms (50/60Hz)	2000Vrms (50/60Hz)
Qty. of Contacts	4	4a	5	5a	7
Contacts Arrangement					
Diameter of contacts×Qty.	φ1.0 × 4	φ1.5 × 4	φ1.0 × 5	φ1.0 × 2 φ1.5 × 3	φ1.0 × 7
Rated Voltage	250VAC	250VAC	250VAC	250VAC 400VAC	250VAC
Withstand Voltage	2000Vrms (50/60Hz)	2000Vrms (50/60Hz)	2000Vrms (50/60Hz)	2000Vrms (50/60Hz)	2000Vrms (50/60Hz)
Qty. of Contacts	8	9	10	12	
Contacts Arrangement					
Diameter of contacts×Qty.	φ1.0 × 8	φ1.0 × 9	φ1.0 × 10	φ1.0 × 12	
Rated Voltage	250VAC	200VAC	160VAC	160VAC	
Withstand Voltage	2000Vrms (50/60Hz)	1500Vrms (50/60Hz)	1500Vrms (50/60Hz)	1500Vrms (50/60Hz)	

XS18 Male Plug Type

◆ J: Male Plug



Optional

Order Code

XS18J Qty. of Contacts **P** NR or BL



Remark: shell size see page 23

J (Male)



Optional

Contacts Arrangement

φ: mm

Qty. of Contacts	3	6	8	14
Contacts Arrangement				
Diameter of contacts × Qty.	φ 2.5 × 3	φ 1.6 × 6	φ 1.6 × 3 φ 1.0 × 5	φ 1.0 × 14
Rated Voltage	320VAC	320VAC	400VAC	200VAC
Withstand Voltage	2500Vrms (50/60Hz)	2000Vrms (50/60Hz)	2000Vrms (50/60Hz)	1500Vrms (50/60Hz)

XS18 Female Receptacle Type

◆ K: Female Receptacle



Optional

A-NR or A-BL or Y-NR or Y-BL

Order Code

XS18K Qty. of Contacts Receptacle type



Remark: receptacle and mounting figure 23 ~ 24

K (Female)



Optional

Contacts Arrangement

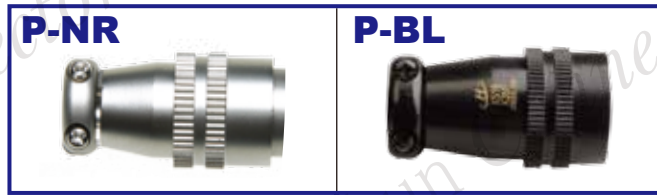
φ: mm

Qty. of Contacts	3	6	8	14
Contacts Arrangement				
Diameter of contacts × Qty.	φ 2.5 × 3	φ 1.6 × 6	φ 1.6 × 3 φ 1.0 × 5	φ 1.0 × 14
Rated Voltage	320VAC	320VAC	400VAC	200VAC
Withstand Voltage	2500Vrms (50/60Hz)	2000Vrms (50/60Hz)	2000Vrms (50/60Hz)	1500Vrms (50/60Hz)



XS18 Female Plug Type

◆ K: Female Plug



Optional

Order Code

XS18K Qty. of Contacts **P** NR or BL



Remark: shell size see page 23

K (Female)



Optional

Contacts Arrangement

φ: mm

Qty. of Contacts	3	6	8	14
Contacts Arrangement				
Diameter of contacts×Qty.	φ 2.5 × 3	φ 1.6 × 6	φ 1.6 × 3 φ 1.0 × 5	φ 1.0 × 14
Rated Voltage	320VAC	320VAC	400VAC	200VAC
Withstand Voltage	2500Vrms (50/60Hz)	2000Vrms (50/60Hz)	2000Vrms (50/60Hz)	1500Vrms (50/60Hz)

XS18 Male Receptacle Type

◆ J: Male Receptacle



Optional **A-NR or A-BL or Y-NR or Y-BL**

Order Code

XS18J Qty. of Contacts Receptacle type



Remark: receptacle and mounting figure 23 ~ 24

J (Male)



Optional

Contacts Arrangement

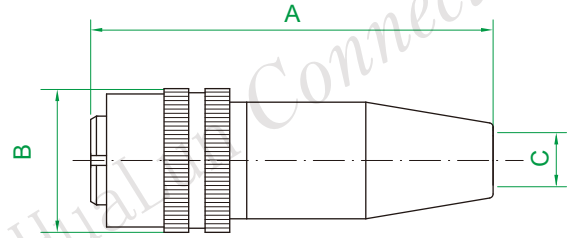
φ: mm

Qty. of Contacts	3	6	8	14
Contacts Arrangement				
Diameter of contacts×Qty.	φ 2.5 × 3	φ 1.6 × 6	φ 1.6 × 3 φ 1.0 × 5	φ 1.0 × 14
Rated Voltage	320VAC	320VAC	400VAC	200VAC
Withstand Voltage	2500Vrms (50/60Hz)	2000Vrms (50/60Hz)	2000Vrms (50/60Hz)	1500Vrms (50/60Hz)

X&XS Plug Figure

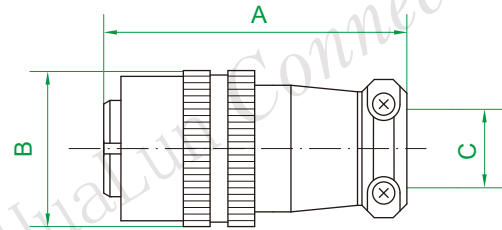
Unit: mm

Spec	A	B	C
XS10	48 ± 1	φ 14	φ 5.5
X12	51.3 ± 1	φ 17	φ 6.5
XS12			
X16	61.8 ± 1	φ 22.5	φ 8
XS16			
XS18	67.7 ± 1	φ 24.5	φ 12



Unit: mm

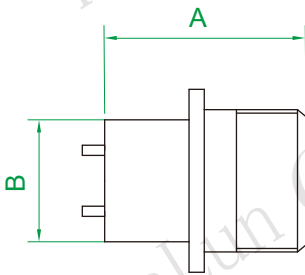
Spec	A	B	C
XS10	29 ± 1	φ 14	φ 5.5
X12	33.8 ± 1	φ 17	φ 6.5
XS12			
X16	40.8 ± 1	φ 22.5	φ 8
XS16			
XS18	43.7 ± 1	φ 24.5	φ 12



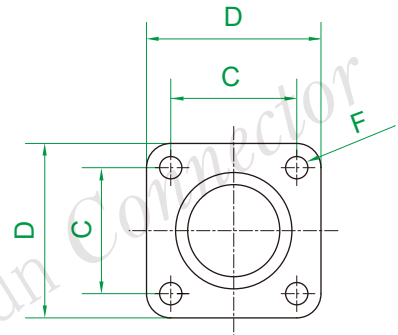
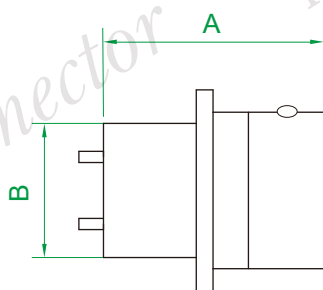
X & XS Receptacle and Mounting Figure

Square Flange Receptacle

▲ X-A



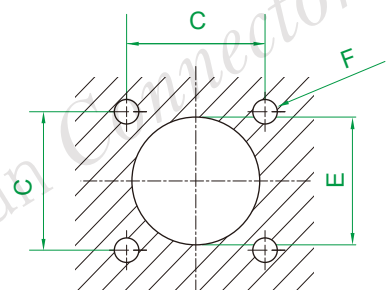
▲ XS-A



Mounting Hole Figure

Unit: mm

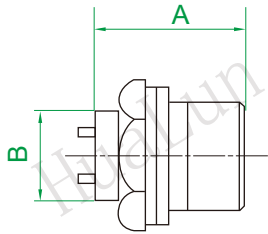
Spec	A	B	C	D	E	F
XS10	19	φ 10	11 ± 0.1	16	φ 14	4-φ 2.3
X12		φ 12	13 ± 0.1	18	φ 17	4-φ 2.3
XS12		φ 16	20 ± 0.1	26	φ 22.5	4-φ 3.2
X16		φ 18	22 ± 0.1	28	φ 24.5	4-φ 3.2
XS16						
XS18						



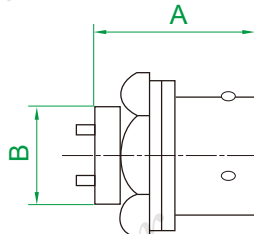
X&XS Receptacle and Mounting Figure

Circular Receptacle

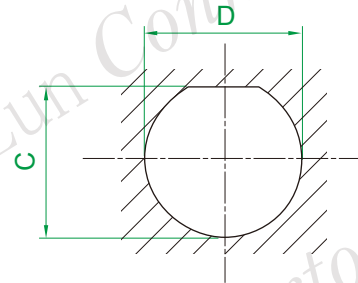
▲ X-Y



▲ XS-Y



Mounting Hole Figure

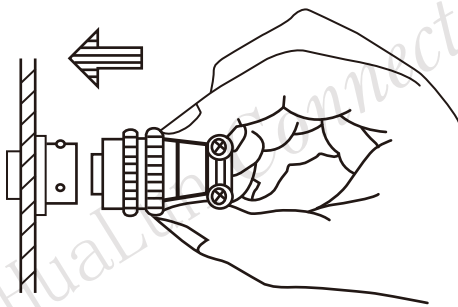


Unit: mm

Spec	A	B	C	D	
XS10	19	M10 × 0.75	9.5	φ 10	
X12		M12 × 0.75	11.5	φ 12	
XS12		M16 × 0.75	15.5	φ 16	
X16		M18 × 1	17.5	φ 18	
XS16					
XS18					

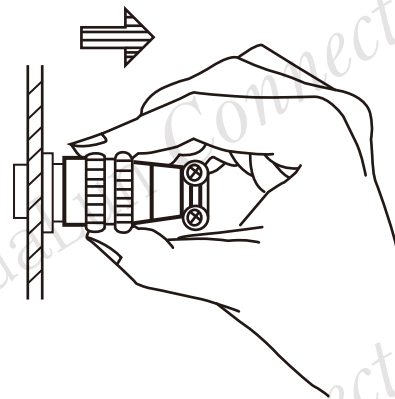
MATING & UNMATING

MATING



MATING: As drawing shows, hold the smooth part in back of the plug and push when the key of the receptacle and the keyway of the plug are in line. Coupling is done when a cracking sound is heard.

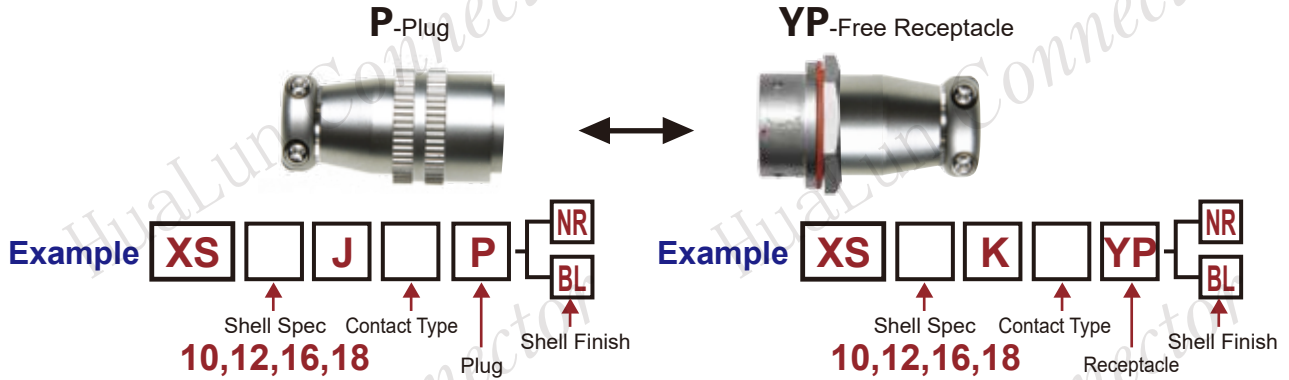
UNMATING



UNMATING: As drawing shows, hold the coupling nut and pull to unmate.

Free Receptacle Order Code

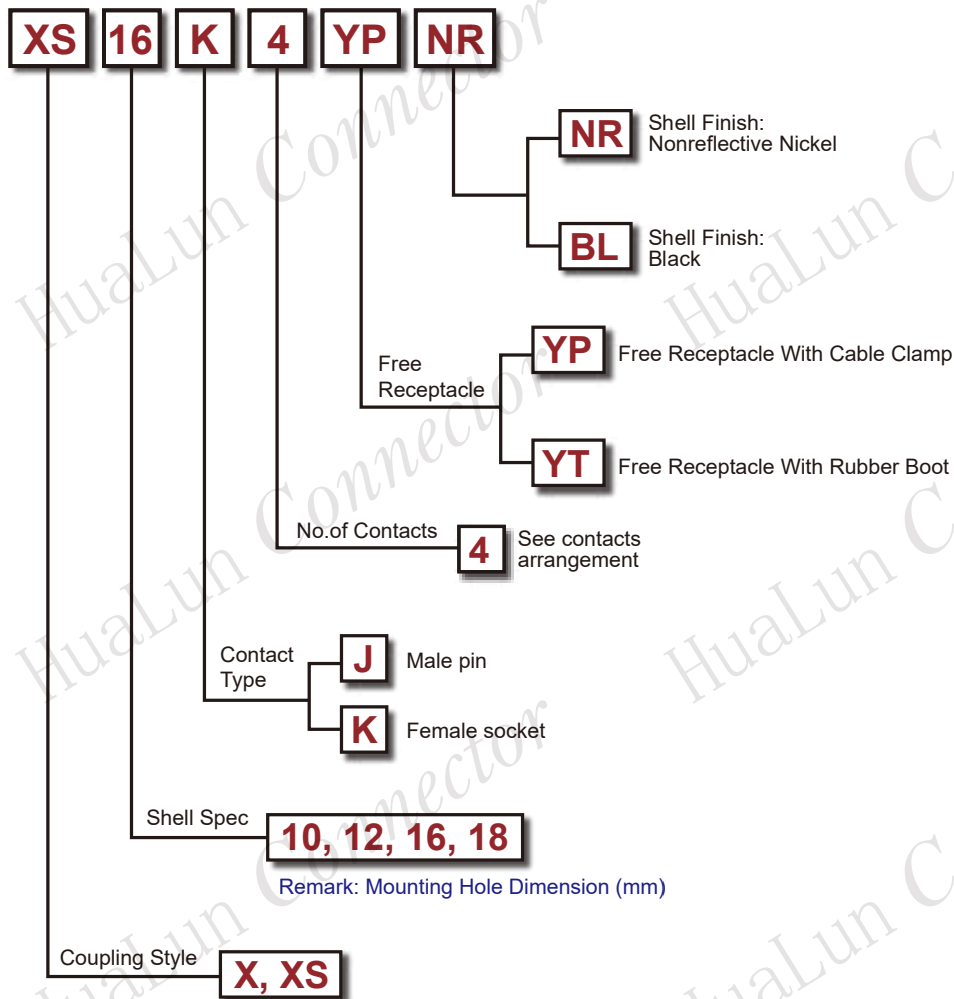
◆ Free Receptacle



Remark: Plug - See Thread Coupling Plug, Push-Pull Coupling Plug

◆ Free Receptacle

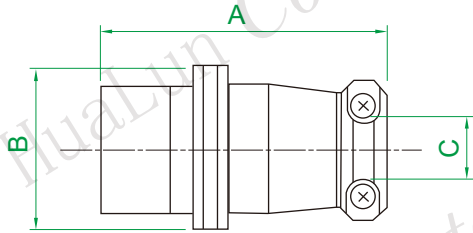
Example



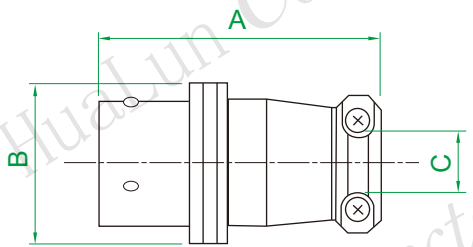
X&XS Shell Size for Free Receptacle

Free Receptacle With Cable Clamp

▲ X-YP

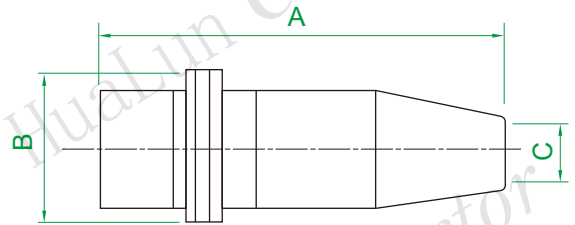


▲ XS-YP

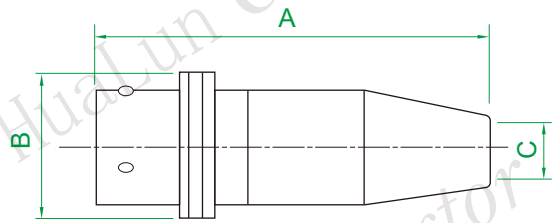


Free Receptacle With Rubber Boot

▲ X-YT



▲ XS-YT



Unit: mm

Spec	A	B	C
XS10	29 ± 1	φ 15	φ 5.5
X12	33.8 ± 1	φ 18	φ 6.5
XS12			
X16	40.8 ± 1	φ 23	φ 8
XS16			
XS18	43.7 ± 1	φ 25	φ 12

Unit: mm

Spec	A	B	C
XS10	48 ± 1	φ 15	φ 5.5
X12	51.3 ± 1	φ 18	φ 6.5
XS12			
X16	61.8 ± 1	φ 23	φ 8
XS16			
XS18	67.7 ± 1	φ 25	φ 12



SHANGHAI HUALUN INSTRUMENTS & ELECTRONICS CO., LTD.

SALES & MARKETING DEPARTMENT

ADD: Rm3409, Tower2, Kerry Everbright City, West
Tianmu Rd218, Shanghai
P.C. : 200070
TEL : 86-21-63178300 ext. 205
FAX : 86-21-63178083
E-MAIL : liz@hualunconnector.com
WEB : www.hualunconnector.com

FACTORY & HEADQUARTERS

ADD: Factory building 1 & 3, Jinjiang Industrial
Park, Qianyang Rd271, Shanghai
P.C. : 200333

- Hualun reserves the right to modify the technical and upgrade of the product
- Any form of diversion of this cataloge must be authorized by Hualun